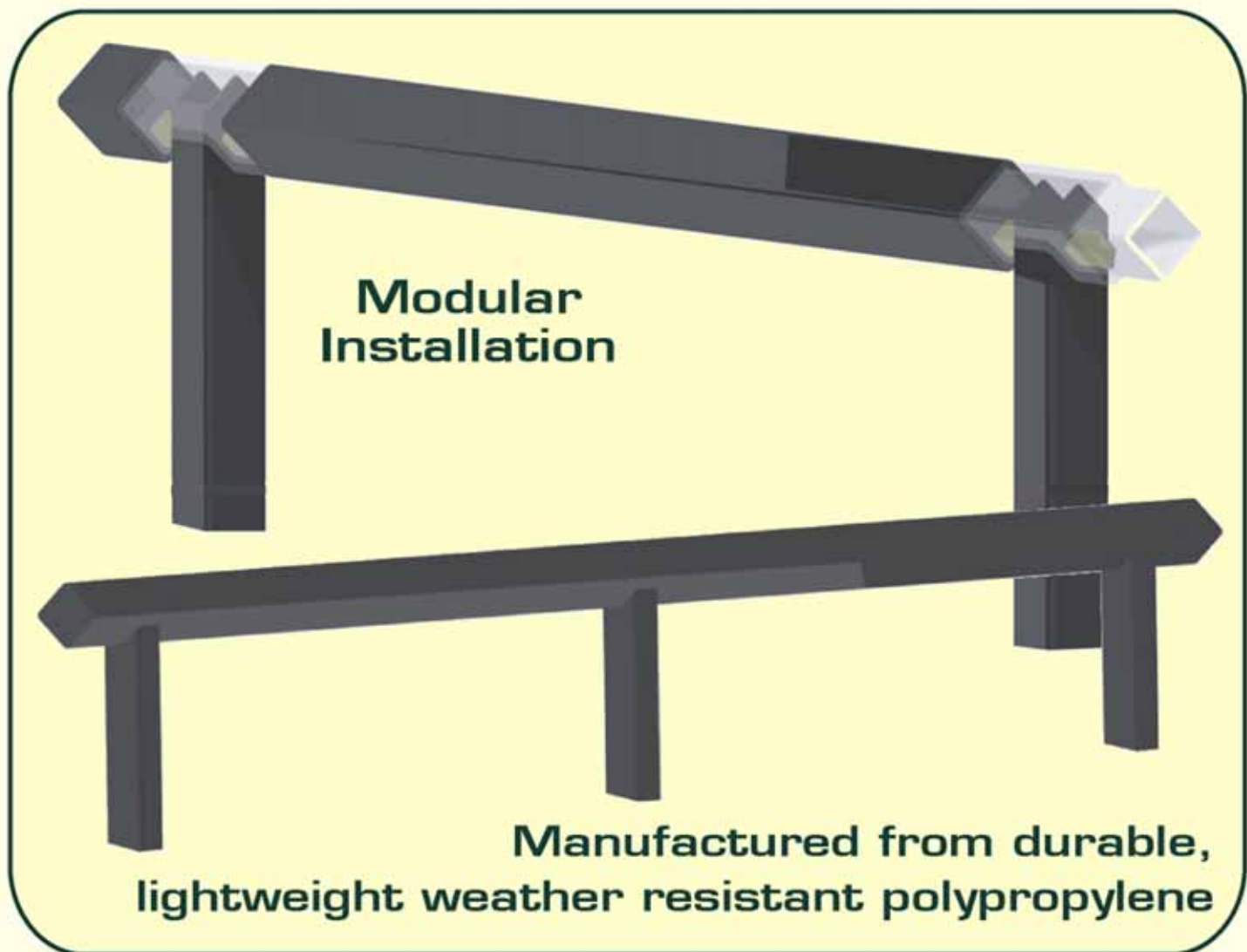




IntaLock Fencing™

defining the boundaries



DIAMOND RAIL FENCING

A-Fax Ltd have a reputation for innovation in the use of extruded plastic in development of their range of IntaLockProducts™. The latest product development is the lightweight Diamond Rail Fencing.

Dimensions (mm)

Height (to top of rail)	600
Post Centres	2000
Rail Length	1750
Rail Section	110 x 110
Post Section	90 x 90

Post and rail fencing assembled using a unique interlocking system REMOVING the need for screws, nails or brackets.

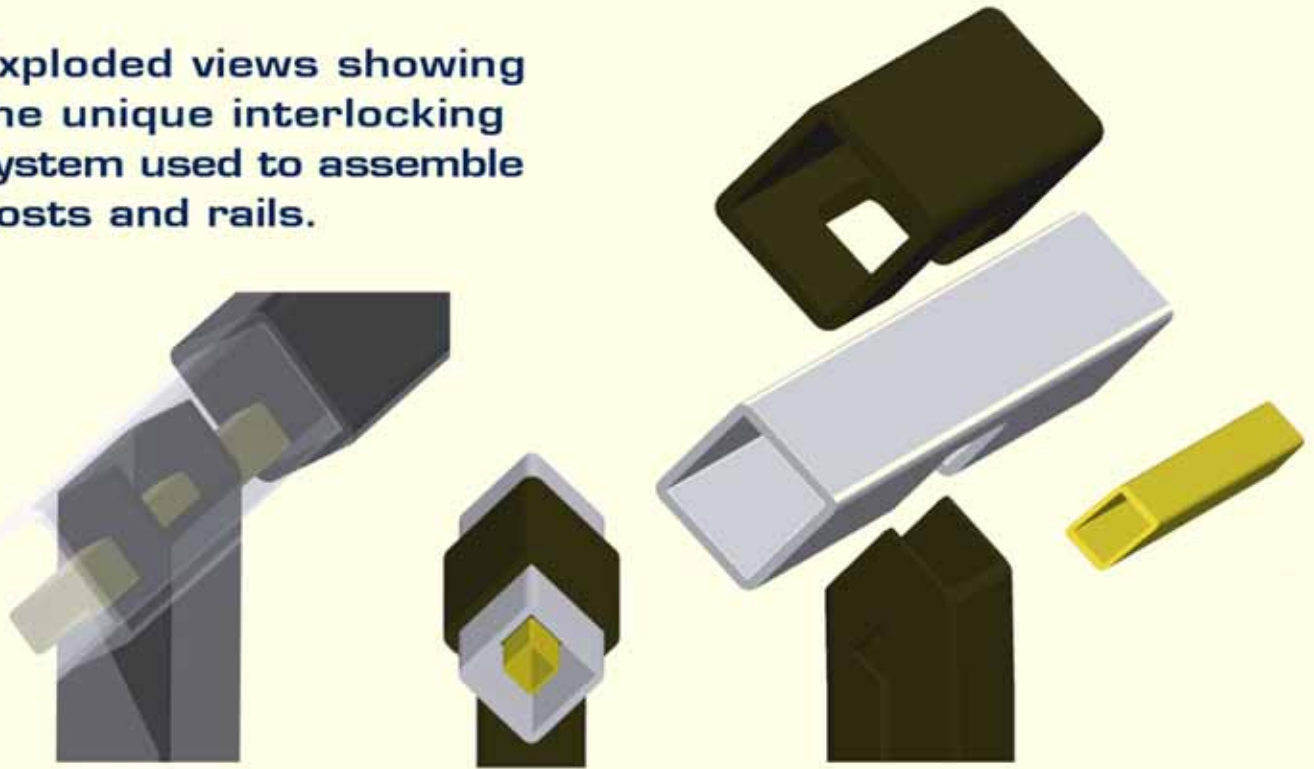
Overall post length supplied to allow post to be sunk into the ground to a depth of 300mm.

A-Fax Ltd, Shay Lane, Halifax HX3 6RL

Tel: 01422 331133 Fax: 01422 323533 Email: sales@a-fax.com Web: www.a-fax.com

A-FaxDRFF071004

Exploded views showing the unique interlocking system used to assemble posts and rails.



A-Fax believe they are the first company to produce this popular type of fencing from hollow plastic section. The use of hollow section makes the fencing lighter and therefore more easily manageable during assembly and installation.

The fencing is a modular post and rail system utilising A-Fax's well proven IntaLock™ technology (Pat. App. 0201962.8). 1750mm long rails are locked into place to a top of rail height of 600mm between two post modules spaced on 2000mm centres. As with conventional materials post are supplied such that a third of their overall length is sunk into the ground for installation.

The unique interlocking system ensures rails are securely anchored to the posts without the use of metal straps, brackets, screws or nails. This system means that when installed the fencing is more rigid and robust compared to similar fencing constructed from other materials.

The major benefit offered by the use of plastic is the inherent resistance of the fencing to weather and environmental conditions. This removes the need for periodic treating or painting. In addition the fence material will no rot or rust extending lifetime and effectively reducing maintenance costs to near zero.

The fencing also offers environmental benefits:

The forgiving nature of the material from which the fence is manufactured (it will bend rather than break or buckle, has no sharp edges, will not splinter and contains no metal parts) reduces the risk of injury from contact or impact with the fencing.

Standard Diamond Rail fencing is manufactured from totally recycled material which makes the product both eco-friendly and reduces its cost.

A-Fax Ltd, Shay Lane, Halifax HX3 6RL

Tel: 01422 331133 Fax: 01422 323533 Email: sales@a-fax.com Web: www.a-fax.com

The manufacturers reserve the right to change the specification without notice

A-FaxDRFB071004